



Sullivan
Palatek

C-SERIES, C-5\7.5\10

5-10 HP \ INDUSTRIAL ELECTRIC COMPRESSORS



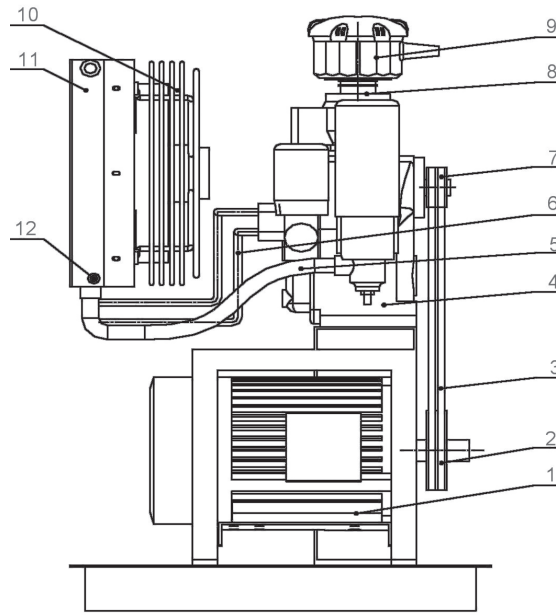
C-5, 5 HP \ C-7.5, 7.5 HP \ C-10, 10 HP

SPECIFICATIONS

Model		C-5	C-7.5	C-10
Capacity @ 125 PSI	cfm	20	28	39
Motor	hp (kW)	5 (3.7)	7.5 (5.6)	10 (7.5)
Motor Speed	rpm	3510	3510	3510
Sump Capacity	gallons (liters)	.5 (1.89)	.5 (1.89)	.5 (1.89)
Discharge NPT	inches	1/2 inch	1/2 inch	1/2 inch
Length	inches (mm)	25 (635)	25 (635)	25 (635)
Width	inches (mm)	25 (635)	25 (635)	25 (635)
Height	inches (mm)	45 (1143)	45 (1143)	45 (1143)
Weight	pounds (kg)	465 (211)	465 (211)	465 (211)

*100 psi and 145 psi also available

Number	Description
1	Motor
2	Motor Sheave
3	V-Belts
4	Encapsulated Air End
5	Discharge Hose
6	Oil Hose
7	Compressor Sheave
8	Intake Valve Assembly
9	Air Filter Assembly
10	Fan with Motor
11	Oil and Air Cooler
12	Pressure Sensor



» C-10 shown above



» C-10 Shown with optional tank mount configuration

FEATURES

- » Energy efficient
- » Quiet - 68dba
- » TEFC motor
- » 208/230/460/ 3/60
- » 230/1/60
- » Microprocessor control
- » Multi point measuring and protection of pressure and temperature
- » RS-485 communication interface function
- » Seven function maintenance schedule/ monitoring
- » Full function electrical control for motor protection
 - » Motor overload relay
 - » Phase protection



Displays:

- » Run time
- » Load time
- » Oil filter change time
- » Separator change time
- » Oil change time
- » High temperature alarm
- » Overload alarm
- » RS 485 Communication

Sullivan-Palatek, Inc.

1201 West US Highway 20
Michigan City, IN 46360

219.874.2497

sullivan-palatek.com

info@palatek.com